

Article

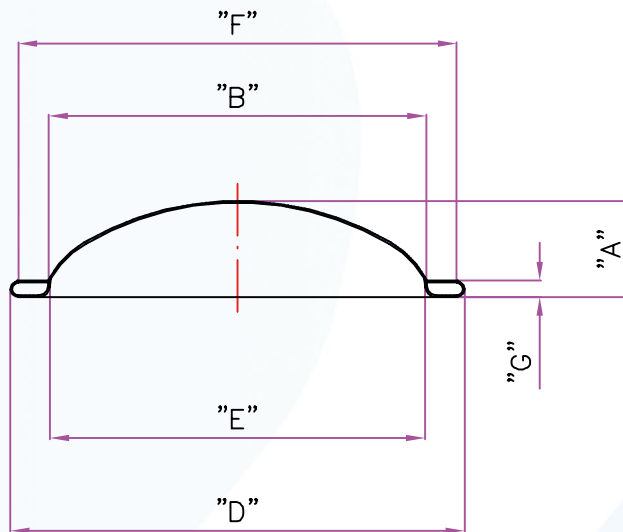
FA 050 DR

Technical data sheet



Object:

Parameters bottom \varnothing 50DR



This drawing
is Cabagaglio's property.
Its reproduction
is forbidden by law.



Unit of
measurement:
mm

Dimensions	Theoretical measures	Control tolerances
A	12.70	± 0.25
B	50.10	± 0.1
D	60.05	± 0.2
E	49.45	± 0.1
F	58.00	MIN
G	2.15	± 0.2

Cabagaglio S.p.a.

Via Dell'Industria, 17 | 23844 Sirone (LC) – Italy
Tel.: +39 0341 494350 | Fax: +39 0341 494584
E-Mail: sales@cabagaglio.it | Web: www.cabagaglio.it
P.Iva 01548350139

Cabagaglio
S.p.a.