

Article

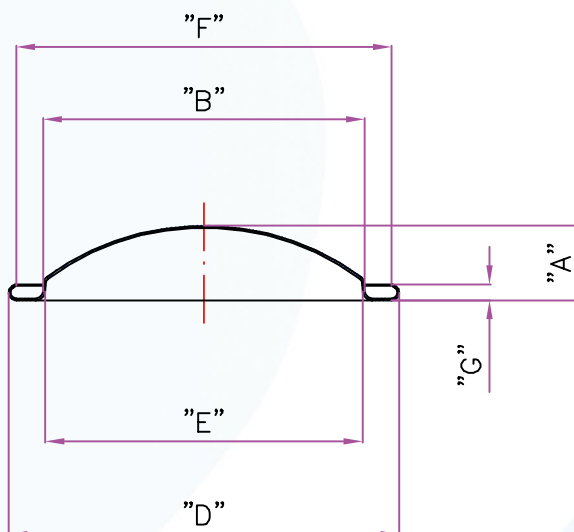
# FA 042 ST

Technical data sheet



Object:

Parameters bottom  $\varnothing$  42



This drawing  
is Cabagaglio's property.  
Its reproduction  
is forbidden by law.



Unit of  
measurement:  
mm

Dimensions	Theoretical measures	Control tolerances
A	9.86	$\pm 0.25$
B	42.45	$\pm 0.1$
D	51.74	$\pm 0.2$
E	41.79	$\pm 0.1$
F	49.70	MIN
G	2.12	$\pm 0.2$

**Cabagaglio S.p.a.**

Via Dell'Industria, 17 | 23844 Sirone (LC) – Italy  
Tel.: +39 0341 494350 | Fax: +39 0341 494584  
E-Mail: [sales@cabagaglio.it](mailto:sales@cabagaglio.it) | Web: [www.cabagaglio.it](http://www.cabagaglio.it)  
P.Iva 01548350139

**Cabagaglio**  
S.p.a.