

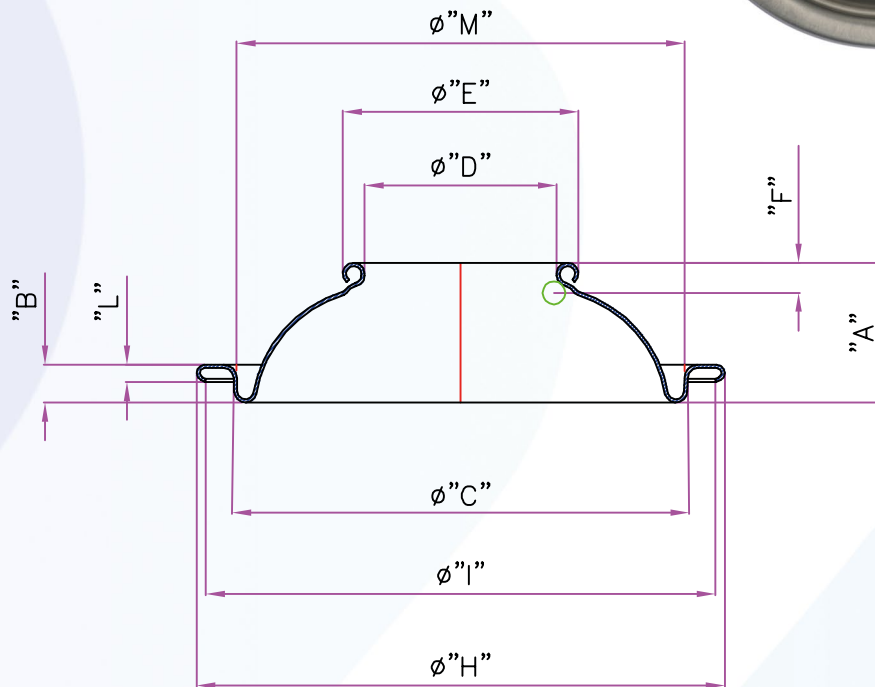
Article

CA 060 ST *Technical data sheet*



Object:

Parameters top \varnothing 60



This drawing is Cabagaglio's property. Its reproduction is forbidden by law.



Unit of measurement:
mm

Dimensions	Theoretical measures	Control tolerances
A	18.5	± 0.2
B	5.00	± 0.2
C	60.05	± 0.1
D	25.4	± 0.1
E	31.2	± 0.2
F	4.00	± 0.15
H	69.90	± 0.25
I	67.40	MIN
L	2.30	± 0.2
M	59.08	± 0.1

Cabagaglio S.p.a.

Via Dell'Industria, 17 | 23844 Sirone (LC) – Italy
Tel.: +39 0341 494350 | Fax: +39 0341 494584
E-Mail: sales@cabagaglio.it | Web: www.cabagaglio.it
P.Iva 01548350139

Cabagaglio
S.p.a.