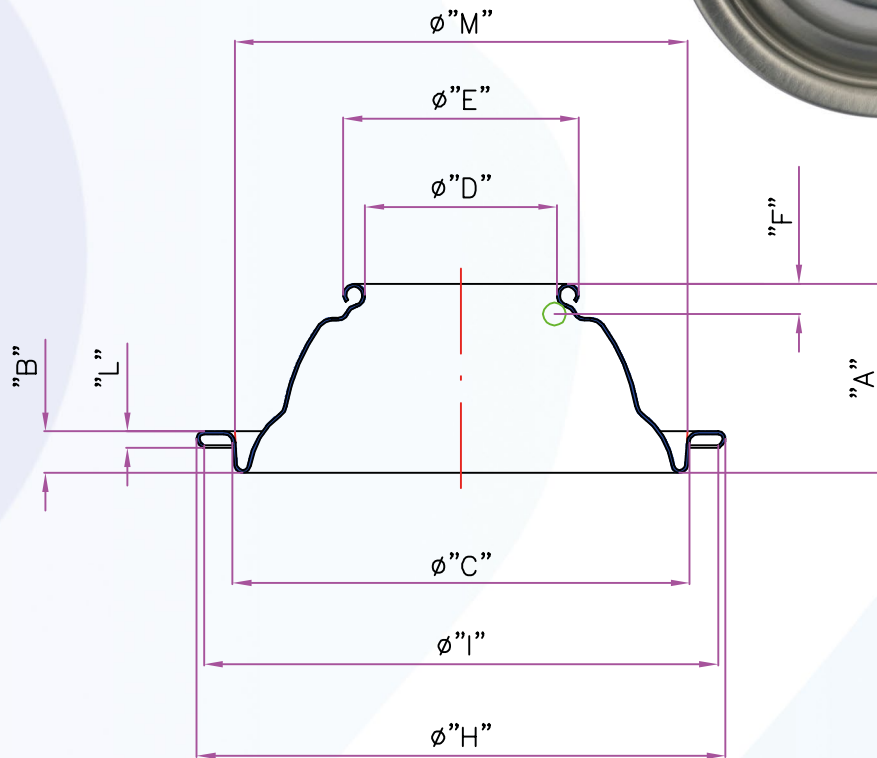
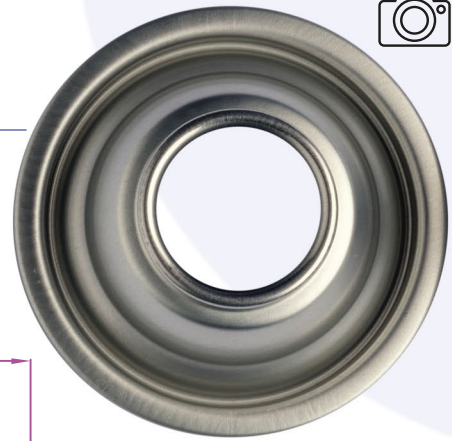



Object:

 Parameters top \varnothing 60
 U.D 5.5


This drawing
 is Cabagaglio's property.
 Its reproduction
 is forbidden by law.



Unit of
 measurement:
 mm

Dimensions	Theoretical measures	Control tolerances
A	25.00	± 0.2
B	5.50	± 0.2
C	60.43	± 0.1
D	25.4	± 0.1
E	31.2	± 0.2
F	4.00	± 0.15
H	69.90	± 0.25
I	67.40	MIN
L	2.30	± 0.2
M	59.90	± 0.1

Cabagaglio S.p.a.

Via Dell'Industria, 17 | 23844 Sirone (LC) – Italy
 Tel.: +39 0341 494350 | Fax: +39 0341 494584
 E-Mail: sales@cabagaglio.it | Web: www.cabagaglio.it
 P.Iva 01548350139

Cabagaglio
 S.p.a.