

Article

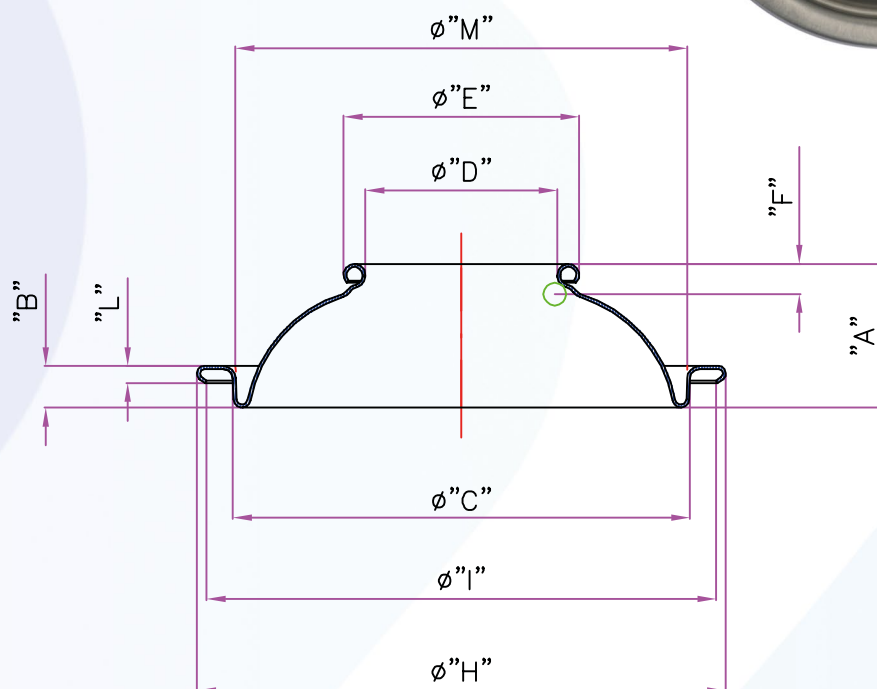
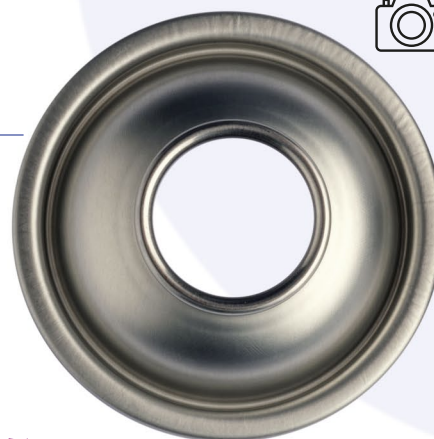
# CA 060 D

Technical data sheet



Object:

Parameters top  $\varnothing$  60D



This drawing  
is Cabagaglio's property.  
Its reproduction  
is forbidden by law.



Unit of  
measurement:  
mm

Dimensions	Theoretical measures	Control tolerances
A	19.0	$\pm 0.2$
B	5.50	$\pm 0.2$
C	60.50	$\pm 0.1$
D	25.4	$\pm 0.1$
E	31.2	$\pm 0.2$
F	4.00	$\pm 0.15$
H	69.90	$\pm 0.25$
I	67.40	MIN
L	2.25	$\pm 0.2$
M	59.50	$\pm 0.1$

**Cabagaglio S.p.a.**

Via Dell'Industria, 17 | 23844 Sirone (LC) – Italy  
Tel.: +39 0341 494350 | Fax: +39 0341 494584  
E-Mail: sales@cabagaglio.it | Web: www.cabagaglio.it  
P.Iva 01548350139

**Cabagaglio**  
S.p.a.